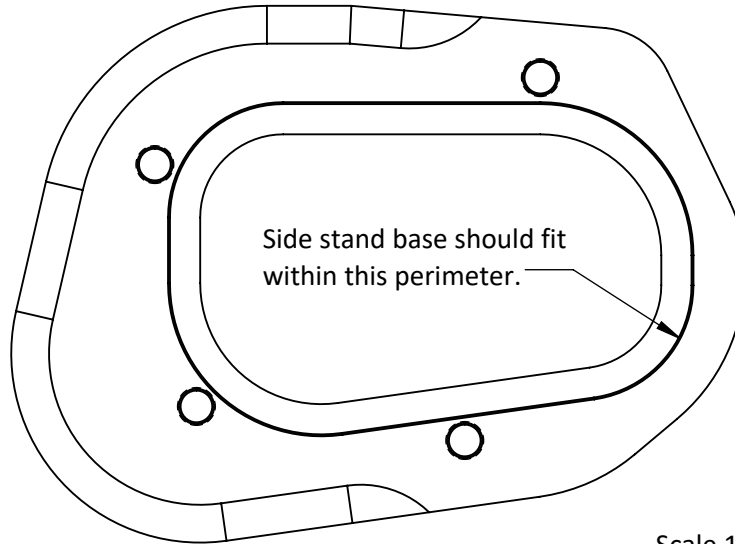


# RAD MOTORWORKS

**RAD BMW R1200/50 GS/GSA  
2013-Present  
SIDE STAND SPREADER  
FIT TEMPLATE FOR 68x43mm**



Scale 1:1

**To check if your side stand fits this spreader, place this sheet of paper on the floor and lay the base of your side stand against the template above.**

**MADE IN SEATTLE, WA USA**