

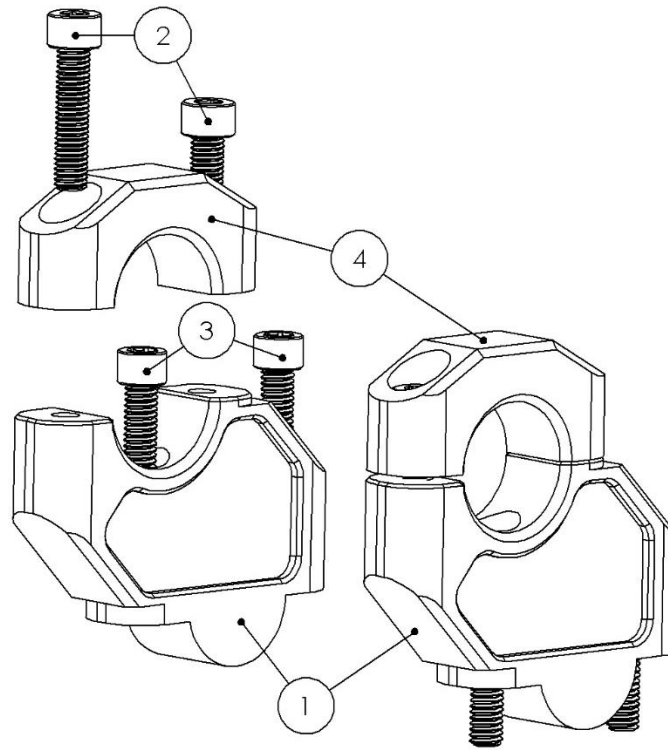
# INSTALLATION INSTRUCTIONS **RAD** MOTORWORKS

## RAD MOTORWORKS BAR BACK RISER FOR BMW R1200/50 GS/GSA 2013-Present

Thank you for choosing RAD MOTORWORKS! This installation instructions will take you through the installation of your RAD MOTORWORKS BAR BACK RISER for the BMW R1200GS/GSA 2013-18.



## Parts List



ITEM NO.	DESCRIPTION	PART NUMBER	QTY.
1	BAR BACK RISER 25mm X 50mm	005-0200-000004	2
2	M8X35 SOCKET HEAD CAP SCREW 6mm HEX DRIVE	002-4901-308035	4
3	M8x35 SOCKET HEAD CAP SCREW TORX 45 DRIVE NOT INCLUDED	BMW PART	4
4	BMW R1200 GS/GSA HANDLEBAR CLAMP NOT INCLUDED	BMW PART	2

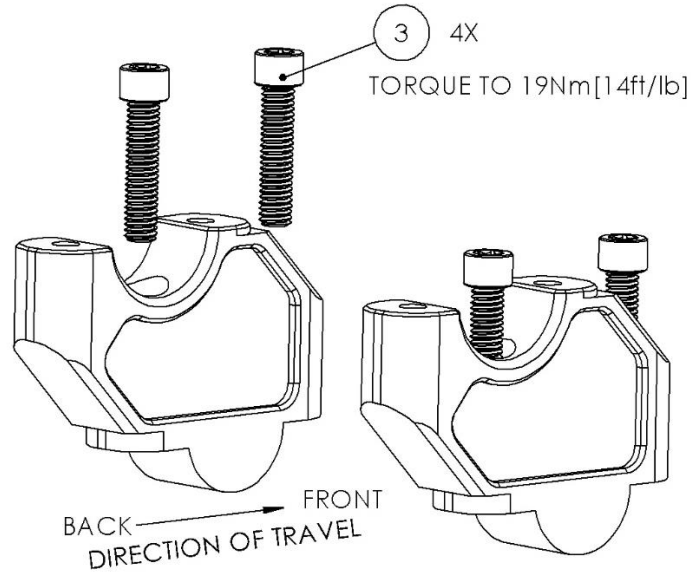
## Tools Required For Installation

- 6mm HEX DRIVE
- T45 TORX DRIVE
- TORQUE WRENCH
- Large Towel, Moving Pad or something to protect your tank during installation.

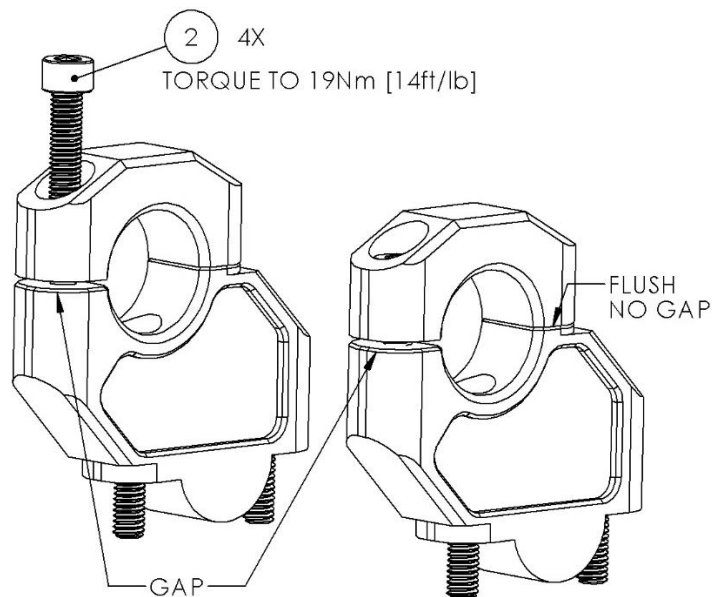
## Installation

- Before disassembling the handlebar, lay a towel or protective pad on the tank to protect it from damage. Remove the four M8X35 Torx socket head cap screw with a T45 Torx drive to remove the handlebar and handlebar clamps. Lay the handlebar gently on the tank to keep it out of the way when installing the bar back risers.

2. Install the bar back risers with the four M8X35 Torx socket head cap screw that were just disassembled. Tighten the them from front to back in the direction of travel to 19Nm [14ft/lb].



3. Install the handlebar and handlebar clamps to the bar back riser with the M8X35 Hex socket head cap screw using the 6mm Hex drive. With the screws snugged but not tightened, adjust the tilt of the handle bar to your desired angle. Once the desired angle is set, tighten the M8X35 Hex socket head cap screws from front to back in the direction of travel to 19Nm [14ft/lb]. Ensure that the **front of the clamp sits flush** on the bar back riser and the **back of the clamp should have a small gap** in between the handle bar clamp and bar back riser.



4. Re-route the hydraulic brake and clutch lines as shown in the picture to allow for full handle bar swinging range of motion without straining or kinking the hydraulic lines. Using zip ties, secure the hydraulic lines in place.



Congratulations! You have completed the installation of the RAD MOTORWORKS MSR Fuel Bottle Mount. If you have any questions or feedback regarding the installation, please feel free to contact us at [RADMotorworks@gmail.com](mailto:RADMotorworks@gmail.com) or visit our website: [www.RADMOTORWORKS.com](http://www.RADMOTORWORKS.com).

## TERMS OF USE, WARRANTY AND LIABILITY WAIVER

RAD Motorworks, a Washington company, having its principal place of business in Seattle, WA, USA ("RAD Motorworks") offers its motorcycle parts and accessories (the "Product") with the terms, conditions and notices as follows:

### Terms of Use:

This Product is offered to you conditioned upon your acceptance without modification of the terms, conditions, and notices contained herein. Installation and/or use of this product implies agreement and acceptance of all such terms, conditions, and notices. If you do not agree to these terms, please do not buy the Product. If you have already bought the Product and do not agree to these terms, please return this Product promptly including the original packaging and all written materials, to RAD Motorworks.

### Warranty Disclaimer

**You may return the product for a full refund or exchange, less any original and/or return shipping fees under the following conditions:**

1. The Product must be in 100% factory condition. Original packaging and same condition as sold – original boxes, packaging material, instructions, documentation, parts, etc.
2. The Product must be unused, unscratched, uninstalled, products will be accepted. Please do not install the Product until you are sure you want to keep it. Package items carefully in protective packaging material before returning them. Please use a proper shipping box or other suitable packaging to ensure your return or exchange is not damaged on its way back to us.

To read more about our exchanges and returns policy, please visit us at: [www.radmotorwork.com](http://www.radmotorwork.com)

With the exception of the warranties stated in the preceding paragraph, RAD Motorworks hereby disclaims all other warranties and conditions with regard to the Product including all implied warranties and conditions of merchantability and fitness for any particular purpose. There are no warranties which extend beyond the description on this agreement hereof. RAD Motorworks does not warrant against damages or defects from the installation or use of the Product. Installation instructions are provided for reference. RAD Motorworks is not responsible for any damages arising out of the installation, improper use or otherwise, of the Product. No warranty of any kind, expressed or implied, is made regarding the safety of this Product.

### Limitation of Liability

To the extent allowed by law, RAD Motorworks shall not be held liable for any direct, indirect, incidental, punitive, special or consequential damages arising out of, or connected with, the use or misuse of this Product. Buyer/User assumes all risks and liability arising from the use of this Product.

### Entire Agreement

This document states the entire obligation of RAD Motorworks with respect to the Product. If any part of this agreement is determined to be void, invalid, unenforceable or illegal, including, but not limited to the warranty disclaimers and liability limitations set forth above, then the remainder of the agreement shall still remain in full force and effect.

### Governing Law

This agreement is governed by the laws of Washington, USA. You hereby consent to the exclusive jurisdiction and venue of the courts of Washington, USA, in all disputes arising out of or relating to the use of this product.