

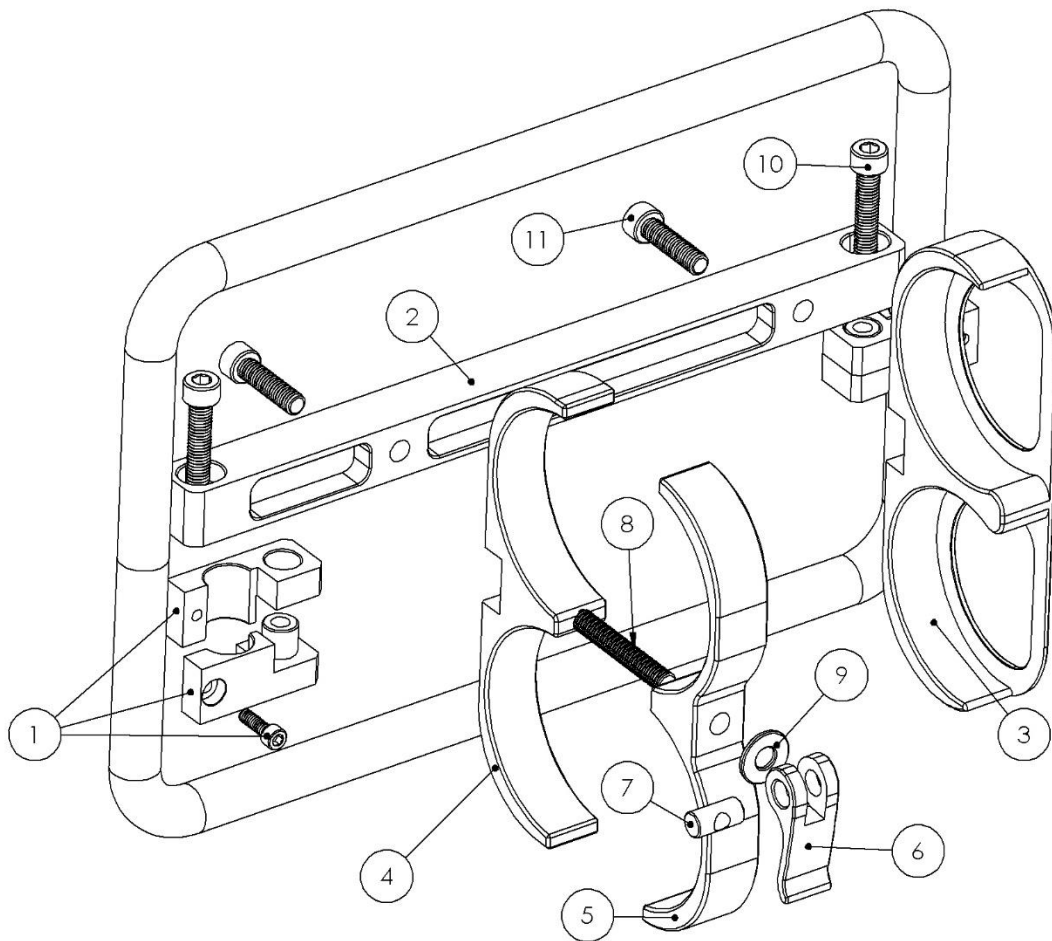
INSTALLATION INSTRUCTIONS **RAD** MOTORWORKS

RAD MOTORWORKS MSR FUEL BOTTLE PANNIER MOUNT FOR BMW R1200/50 GS/GSA 2013-Present

Thank you for choosing RAD MOTORWORKS! This installation instructions will take you through the installation of your RAD MOTORWORKS MSR Fuel Bottle Pannier Mount for the BMW R1200/50 GS/GSA 2013-21.



Parts List

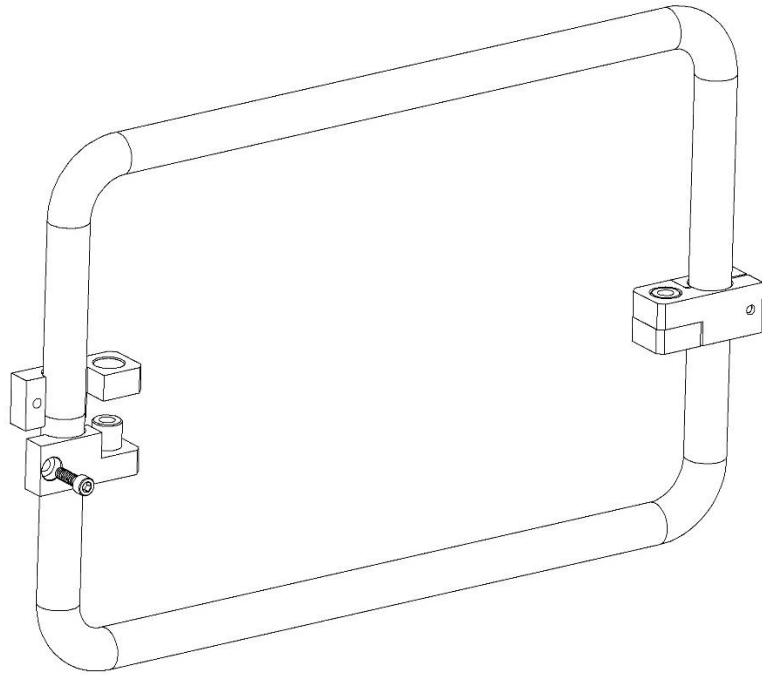


ITEM NO.	DESCRIPTION	PART NUMBER	QTY.
1	PANNER MOUNTING SPLIT CLAMP ASSEMBLY - 005-0200-000010 (SPLIT CLAMP 1), 005-0200-000011 (SPLIT CLAMP 2) AND 002-4901-305016 (M5 SOCKET HEAD CAP SCREW)	007-0200-000010	2
2	MAIN MOUNTING STRUT FOR R1200GS/GSA 13'-18'	005-0200-000012	1
3	BASE BRACKET - FUEL BOTTLE MOUNT	005-0200-000014	1
4	TOP BRACKET - FUEL BOTTLE MOUNT	005-0200-000015	1
5	CLAMP - FUEL BOTTLE MOUNT	005-0200-000016	1
6	QUICK RELEASE LEVER	005-0200-000017	1
7	QUICK RELEASE NUT	005-0300-000003	1
8	SET SCREW FOR QUICK RELEASE M8X60	002-4911-308060	1
9	QUICK RELEASE WASHER	002-5920-008002	1
10	M8X35 SOCKET HEAD CAP SCREW	002-4901-308035	2
11	M8X30 SOCKET HEAD CAP SCREW	002-4901-308030	2

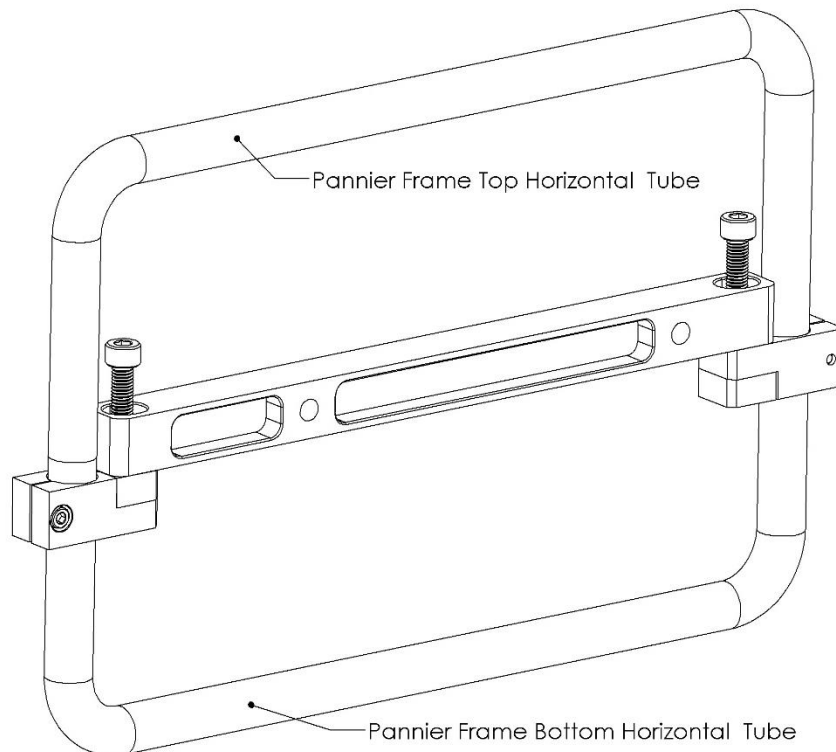
Tools Required For Installation

- a. 4mm HEX Wrench/Key
- b. 6mm HEX Wrench/Key
- c. Tape measure or ruler

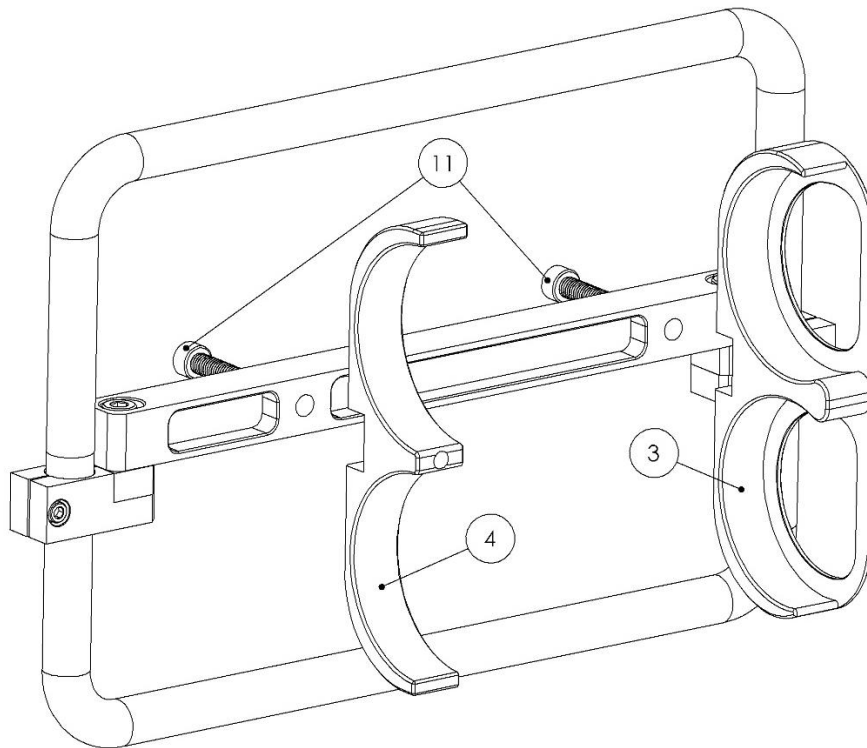
1. Install the two sets of Pannier Mounting Split Clamps to the pannier mounting frame. Leave the M5x16 socket head cap screw loose to adjust the position of the clamps with the main strut.



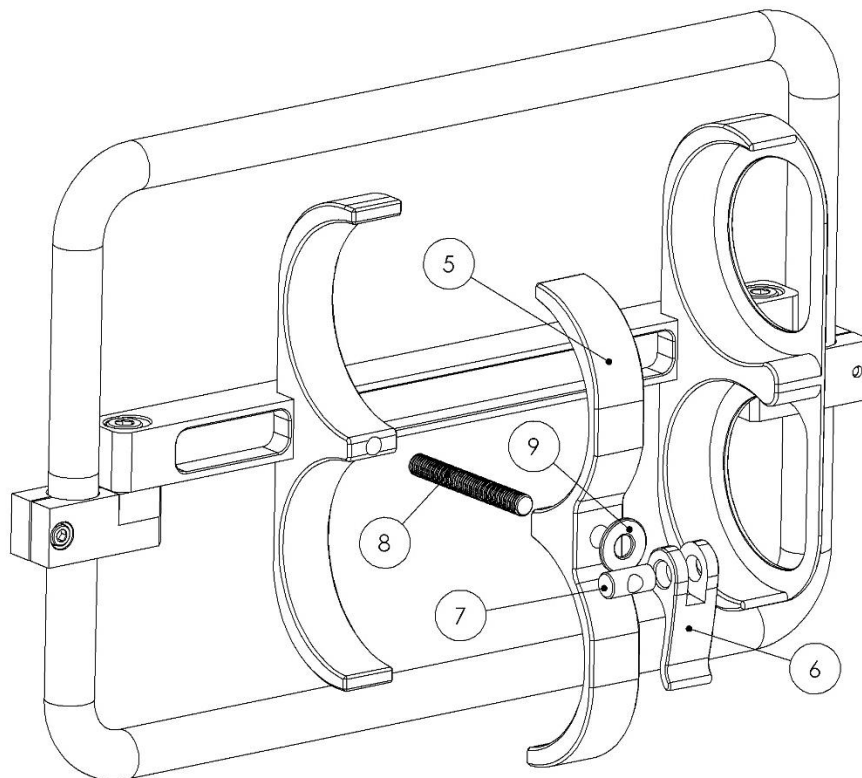
2. Install the Main Mounting Strut to the Pannier Mounting Split Clamps using the two M8X35 socket head cap screws. Using a measuring tape or ruler, align the Main Mounting Strut so that it is parallel and equidistant between the top and bottom horizontal tubes of the pannier mounting frame. Once aligned, tighten the M8 and M5 fasteners.



3. Install the Base and Top Bracket to the Main Mounting Strut using the M8x30 socket head cap screws.



4. Install the Clamp and Quick Release Mechanism to the Top Bracket to complete the installation.



Congratulations! You have completed the installation of the RAD MOTORWORKS MSR Fuel Bottle Mount. If you have any questions or feedback regarding the installation, please feel free to contact us at RADMotorworks@gmail.com or visit our website: www.RADMOTORWORKS.com.

RAD Motorworks

TERMS OF USE, WARRANTY AND LIABILITY WAIVER

RAD Motorworks, a Washington company, having its principal place of business in Seattle, WA, USA ("RAD Motorworks") offers its motorcycle parts and accessories (the "Product") with the terms, conditions and notices as follows:

Terms of Use:

This Product is offered to you conditioned upon your acceptance without modification of the terms, conditions, and notices contained herein. Installation and/or use of this product implies agreement and acceptance of all such terms, conditions, and notices. If you do not agree to these terms, please do not buy the Product. If you have already bought the Product and do not agree to these terms, please return this Product promptly including the original packaging and all written materials, to RAD Motorworks.

Warranty Disclaimer

You may return the product for a full refund or exchange, less any original and/or return shipping fees under the following conditions:

1. The Product must be in 100% factory condition. Original packaging and same condition as sold – original boxes, packaging material, instructions, documentation, parts, etc.
2. The Product must be unused, unscratched, uninstalled, products will be accepted. Please do not install the Product until you are sure you want to keep it. Package items carefully in protective packaging material before returning them. Please use a proper shipping box or other suitable packaging to ensure your return or exchange is not damaged on its way back to us.

To read more about our exchanges and returns policy, please visit us at: www.radmotorwork.com

With the exception of the warranties stated in the preceding paragraph, RAD Motorworks hereby disclaims all other warranties and conditions with regard to the Product including all implied warranties and conditions of merchantability and fitness for any particular purpose. There are no warranties which extend beyond the description on this agreement hereof. RAD Motorworks does not warrant against damages or defects from the installation or use of the Product. Installation instructions are provided for reference. RAD Motorworks is not responsible for any damages arising out of the installation, improper use or otherwise, of the Product. No warranty of any kind, expressed or implied, is made regarding the safety of this Product.

Limitation of Liability

To the extent allowed by law, RAD Motorworks shall not be held liable for any direct, indirect, incidental, punitive, special or consequential damages arising out of, or connected with, the use or misuse of this Product. Buyer/User assumes all risks and liability arising from the use of this Product.

Entire Agreement

This document states the entire obligation of RAD Motorworks with respect to the Product. If any part of this agreement is determined to be void, invalid, unenforceable or illegal, including, but not limited to the warranty disclaimers and liability limitations set forth above, then the remainder of the agreement shall still remain in full force and effect.

Governing Law

This agreement is governed by the laws of Washington, USA. You hereby consent to the exclusive jurisdiction and venue of the courts of Washington, USA, in all disputes arising out of or relating to the use of this product.